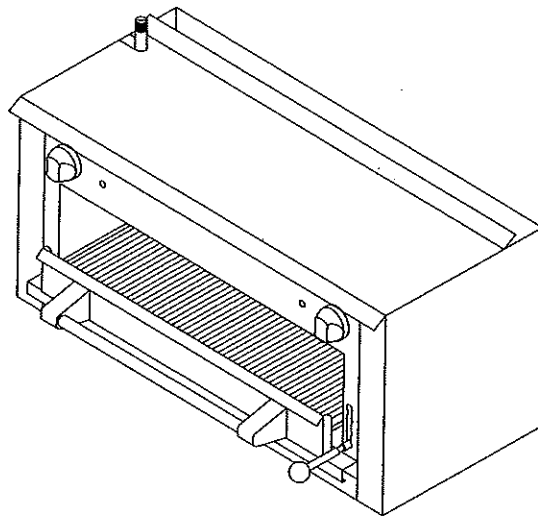


THERMA-TEK SALAMANDER

RANGE CORP.

OWNERS MANUAL AND INSTALLATION INSTRUCTIONS



MODEL # TSM36



Made in U.S.A.

THERMA-TEK

RANGE CORP.

INTRODUCTION/ SAFETY PRECAUTIONS

Thank you for choosing your new THERMA-TEK Equipment. Our Products are designed to be safe and reliable when properly cared for and used reasonably. Your service agency or dealer recommends periodic inspections. Installation, maintenance, and repairs should be performed by your local authorized service agency. **This equipment is not intended for home use.**

This equipment is for commercial use by trained professionals familiar with commercial cooking equipment. It is the responsibility of the Supervisor or equivalent person to ensure that users wear suitable protective clothing and safety gear. Caution: some parts of the equipment become very hot and will cause burns if accidentally touched.

FOR YOUR SAFETY

DO NOT STORE OR USE GASOLINE OR OTHER FLAMMABLE VAPORS OR LIQUIDS IN THE VICINITY OF THIS OR ANY OTHER APPLIANCE.

FOR YOUR SAFETY

If you smell gas:

1. Shut off gas to appliance.
2. Extinguish any open flame.
3. If odor continues, immediately call your gas supplier.

Consult your local gas supplier for instructions to be followed in the event you smell gas.
Post these instructions in a prominent location.

WARNING: IMPROPER INSTALLATION, ADJUSTMENT ALTERATION, SERVICE OR MAINTENANCE CAN CAUSE PROPERTY DAMAGE, INJURY OR DEATH. READ THE OWNERS/INSTALLERS MANUAL THOROUGHLY BEFORE INSTALLING OR SERVICING THIS EQUIPMENT.

CALIFORNIA PROPOSITON 65 – WARNING

The burning of gas cooking fuel generates some by- products which are on the list of substances known by the State of California to cause cancer or reproductive harm. California law requires businesses to warn customers of potential exposure to such substances. To minimize exposure to these substances, always operate this unit according to the owners/installation manual, ensuring you provide good ventilation when cooking with gas.

PLEASE RETAIN THESE INSTRUCTIONS FOR FUTURE REFERENCE

INSTALLATION AND SAFETY GUIDELINES

IMPORTANT

Safe and satisfactory operation of your equipment depends on its proper installation. Installation must conform to local codes, or in the absence of local codes with the National Fuel Code ANSI Z223.1 (latest edition).

All THERMA-TEK appliances are shipped with a gas pressure regulator packed with the unit. All units are adjusted, tested, and inspected at the factory prior to shipment.

After uncrating, immediately check the equipment for visible signs of shipping damage. If such damage has occurred, do not refuse shipment, but contact the shipper and file appropriate freight claims.

GENERAL

- Installation of this equipment should be made by licensed and authorized personnel.
- A manual gas shut-off valve must be installed in the gas supply (service) line ahead of the appliance and gas pressure regulator installed in the gas stream for safety and ease of future service.
- The gas pressure regulator supplied must be installed on the appliance prior to connecting the equipment to the gas line. Failure to install a regulator will void the equipment warranty and result in a potentially hazardous condition.
- The appliance and its individual shut off valve must be disconnected from the gas supply system during any pressure testing of that system in excess of ½ PSI.
- The appliance must be isolated from the gas supply system by closing its individual shut off valve during any pressure testing of the gas supply piping system at test pressure equal to or less than ½ PSI.
- Please contact the factory, the factory representative, or a local authorized service company to perform maintenance and repairs.

RATING PLATE

Information on this plate includes the model and serial number. When communicating with the factory about a unit or requesting special parts or information, this information is required for proper identification. Other information on the plate is the BTU/hr input of the burners, gas pressure in inches WC, and whether the unit has orifices for natural or propane gas.

IMPORTANT: The appliance must be connected only to the type of gas identified on the rating plate.

GAS CONVERSION

We recommend that the appliance be ordered from the factory for the type of gas at the installation site. When gas conversion is necessary contact the factory for a proper gas conversion kit.

INSTALLATION AND SAFETY GUIDELINES

CLEARANCES

- The unit must be kept clear of all combustibles.
- The units must be installed with the 4” legs if locating on combustible flooring or counter top.
- Minimum clearance from combustible construction:

<u>Side</u>	<u>Back</u>
6”	6”

- Minimum clearance from non-combustible construction: 0” Side, 0” Back

LEVELING

A carpenter’s spirit level should be placed on the cooking surface and the unit leveled side-to-side, and front to back. If it is not level, burner combustion may be erratic or the unit may not function efficiently.

AIR SUPPLY AND VENTILATION

The area around the appliance must be kept clear to avoid any obstructions of the flow of combustion and ventilation air as well as for ease of maintenance, service, and proper appliance operation. Keep clearance for openings into the combustion chamber and adequate air supply. Means must be provided for any commercial, heavy duty-cooking appliance to exhaust combustion wastes to the outside of the building.

Air movement should be checked during installation. Strong exhaust fans in the hood or in the overall air conditioning system can produce a slight draft in the room, which can interfere with pilot or burner performance. If pilot or burner problem persists, make up air openings or baffles may have to be provided in the room.

Filters and drip troughs should be part of any industrial hood, but consult local codes before constructing and installing any hood. The duct system, the exhaust hood, and the filter bank must be cleaned on a regular basis and kept free of grease.

ALTITUDE

The appliance input rating (BTU/hr) is for elevations up to 2,000 feet. For elevations above 2000 feet, the rate should be reduced 4% for each 1000 feet above sea level. The correct orifices are installed at the factory if the operating altitude is known at the time of sale.

INITIAL START-UP

All THERMA-TEK appliances are adjusted and tested before leaving the factory. Adjustments and calibrations may be necessary upon installation to meet local conditions, low gas characteristics; problems caused by rough handling or vibration during shipping, and are to be performed only by qualified service personnel. These adjustments are the responsibility of the customers and or dealer and are not covered by our warranty.

Check all gas connections for leaks with a soapy water solution before lighting pilots. **Do NOT use an open flame to check for leaks.** Putting an open flame beside a new gas connection is extremely dangerous. Before lighting any pilots, make sure that burner valves and thermostats are in the off position.

LIGHTING THE PILOTS

CAUTION: When lighting the pilots and checking for leaks, do not stand with your face close to the Combustion chamber.

PILOT:

- Broiler pilots can be accessed from the front of the unit looking upward into the cooking area.
- Make sure pilot adjust valve located on the manifold is open.
- Light the pilot and adjust the flame to approximately ¾" long.

SHUTDOWN

- Nightly shutdown: Turn burner valves to off position, pilots will remain lit.
- Complete shutdown: Turn burner valves and thermostats to off position. Turn main gas supply to range off.

OPERATING INSTRUCTIONS

BEFORE USE

All units are wiped clean with solvents at the factory to remove any visible signs of dirt, oil or grease remaining from the manufacturing process.

Before using the new broiler be sure all packing material is removed. Remove broiler rack and wash with hot soapy water and rinse with clean water.

Before initial use turn salamander burner on high and run for 15 minutes. This will burn off any solvents remaining on the unit.

INSTALLATION AND SAFETY GUIDELINES

GAS CONNECTION

The gas supply (service) line must be at least the same size or larger than the inlet line of the appliance. THERMA-TEK Salamanders are supplied with a 1/2" NPT Schedule 40 inlet. Sealant on all pipe joints must be resistive to LP gas.

MANUAL SHUT-OFF VALVE

A manual shut-off valve must be installed in the gas service line ahead of the appliance and regulator in the gas stream and in a position where it can be reached quickly in the event of an emergency. The manual shut-off valve is supplied by the installer.

PRESSURE REGULATOR

All commercial cooking equipment must have a pressure regulator on the incoming service line for safe and efficient operation, since pressure may fluctuate on local demand. A regulator is supplied with the appliance. **Failure to install a pressure regulator will void the equipment warranty.** The regulators are adjusted at the factory, 5.0" WC for natural gas, and 10.0" WC for propane gas. Ensure the supply pressure is within the following range: Natural Gas 6.0" WC to 13.0" WC / Propane Gas 11.0" WC to 13.0" WC. Any adjustments to the regulators must be made *only* by qualified service personnel with proper test equipment.

RIGID CONNECTIONS

Double check any installer supplied gas pipes visually and blow them out with compressed air to clear any dirt particles, threading chips, or any other foreign matter before installing a service line. Those particles will clog orifices when gas pressure is applied. All connections must be sealed with a joint compound for LP gas, and all connections must be tested with a soapy water solution before lighting any pilots.

FLEXIBLE COUPLINGS, CONNECTORS AND CASTERS

If the unit is to be installed with flexible coupling and or quick disconnect fittings, the installer must use a heavy duty commercial flexible connector at least 3/4" NPT (with suitable strain relief) in compliance with the standard for connectors for movable gas appliances, ANSI Z21.69-1987 and Addenda Z2.169a-1989 (or latest edition) or connectors for movable appliances, CAN/CGA-6.16 (or latest edition) and quick disconnect device must comply with the standard for quick disconnect devices for use with gas fuel, ANSI Z21.41-1989 (or latest edition) or quick disconnect devices for use with gas fuel, CAN1-69 (or latest edition). Adequate means must be provided to limit the movement of the appliance. Domestic connectors are not suitable.

When the appliance is supplied with casters and is connected to the supply piping by means of a connector for movable appliances, and if disconnecting the restraint is necessary, this restraint must be reconnected after the appliance is returned to its original installation position. The strain relief is a cable attached to the rear of the appliance.

CARE AND CLEANING

Any piece of equipment works better and lasts longer when properly maintained. Cooking equipment is no exception. Your THERMA-TEK appliance must be kept clean during the workday and thoroughly cleaned at the end of the day.

SALAMANDER

- Remove rack and clean thoroughly with hot soapy water, rinse with clean water.
- Remove drip pan and empty and debris and grease. Wash with hot soapy water.
- Wipe out the bottom of the salamander with a damp cloth.

STAINLESS STEEL

- All stainless steel body parts should be wiped regularly with hot soapy water during the day and with a liquid cleaner designed for this material at the end of each day. Do not use steel wool, abrasive cloths, cleansers or powders to clean stainless steel surfaces. If it is necessary to scrape stainless steel to remove encrusted materials, soak in hot water to loosen the material, then use a nylon or wood scraper to loosen debris. Never use a spatula, knife or any other metal tool to scrape stainless steel. These tools will scratch the stainless steel.

HOW TO OBTAIN SERVICE

For warranty service, contact your local THERMA-TEK authorized service agency. Provide him or her with the Model #, Serial #, date of installation, and a brief description of the problem. If you need assistance locating the authorized service agency in your area, contact your local dealer. He or she will have a listing of authorized dealers in your area, or on the web www.therma-tek.com

We want you to remain a satisfied customer. If a problem arises that cannot be resolved to your satisfaction, please contact our customer service at:

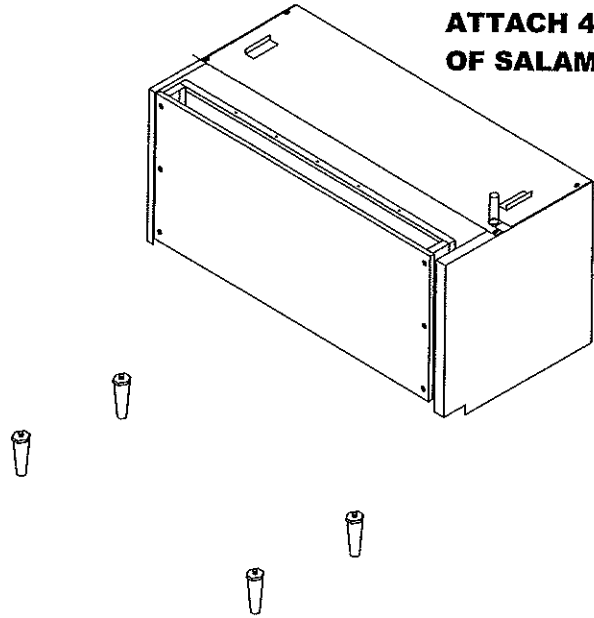
570-455-3000

570-455-9491 (fax)

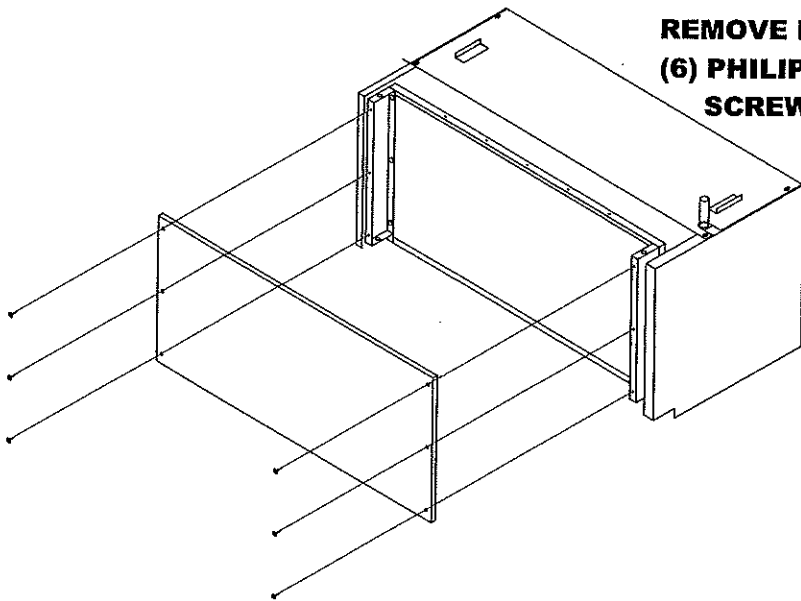
Or e-mail us at info@therma-tek.com

COUNTER MOUNT INSTALLATION

STEP 1:
ATTACH 4" LEGS TO BOTTOM
OF SALAMANDER AND LEVEL UNIT

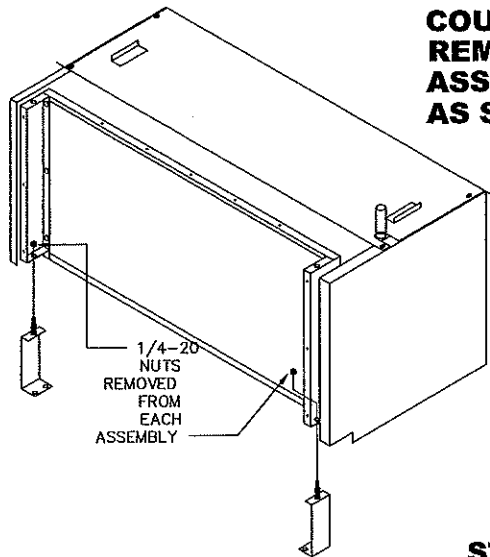


STEP 2:
REMOVE BACK PANEL BY REMOVING
(6) PHILIPS HEAD SHEETMETAL
SCREWS



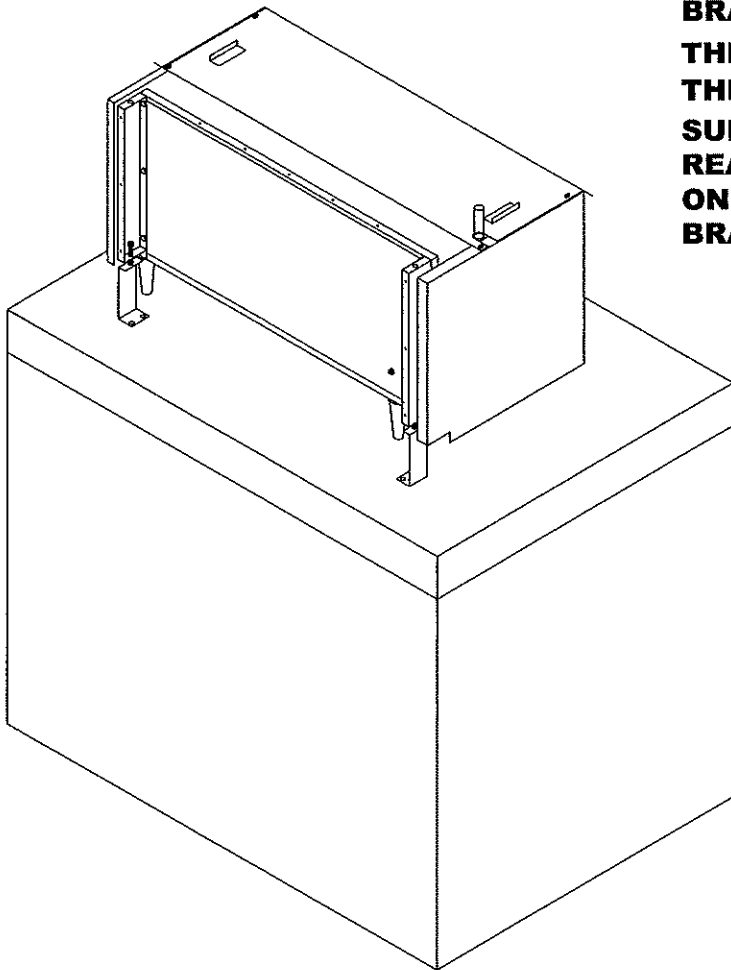
STEP 3:

WITH UNIT BEING LEVELED, INSTALL REAR COUNTER HOLDDOWN BRACKETS, BY FIRST REMOVING (1) 1/4 -20 NUT FROM EACH ASSEMBLY, AND INSERTING ASSEMBLY AS SHOWN



STEP 4:

BRACKETS WILL SIT FLUSH ON COUNTER THEN ADJUST NUTS ON BOTTOM SIDE ALL THE WAY UP TO TOUCH REAR PANEL SUPPORT BRACKET ON BOTTOM SIDE, REAPPLY 1/4-20 NUT THAT WAS REMOVED ON TOP SIDE OF REAR PANEL SUPPORT BRACKET AND TIGHTEN.



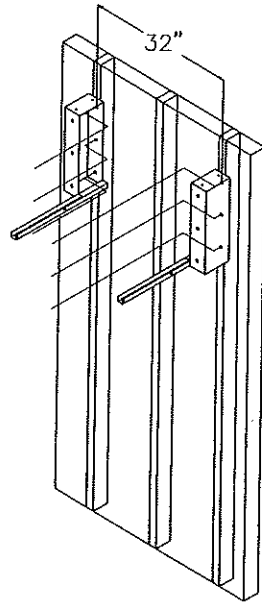
STEP 5:

ATTACH BRACKETS TO COUNTER USING APPROPRIATE HARDWARE. CHECK WITH LOCAL BUILDING CODES FOR PROPER ATTACHMENT

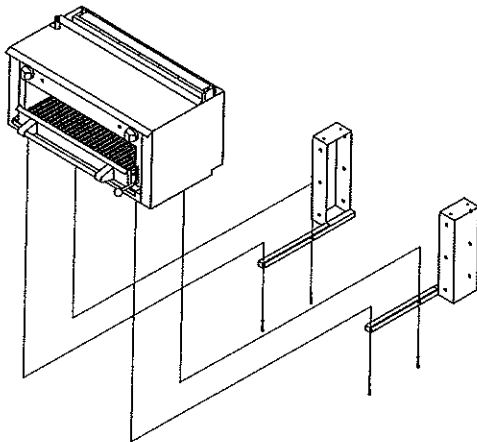
STEP 6:

RE-ATTACH BACKPANEL FROM STEP 2.

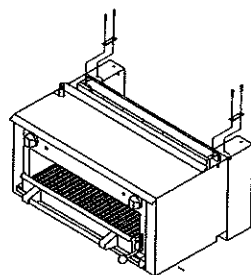
SALAMANDER WALL MOUNT INSTRUCTIONS



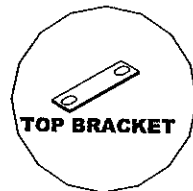
STEP 1:
POSITION WALL MOUNT BRACKETS AT DESIRED HEIGHT ON WALL, AND AT THE SPEC'D DIMENSION ON WIDTH (32") ON WALL STUDS. USING APPROPRIATE HARDWARE TO FASTEN TO WALL. CHECK LOCAL BUILDING CODES FOR PROPER INSTALLATION TO WALL.



STEP 2:
POSITION SALAMANDER ON RAILS AS SHOWN AND WITH HARDWARE PROVIDED (3/8-16 X 1-1/2" BOLTS AND LOCK WASHERS) ATTACH AS SHOWN AND TIGHTEN SECURELY

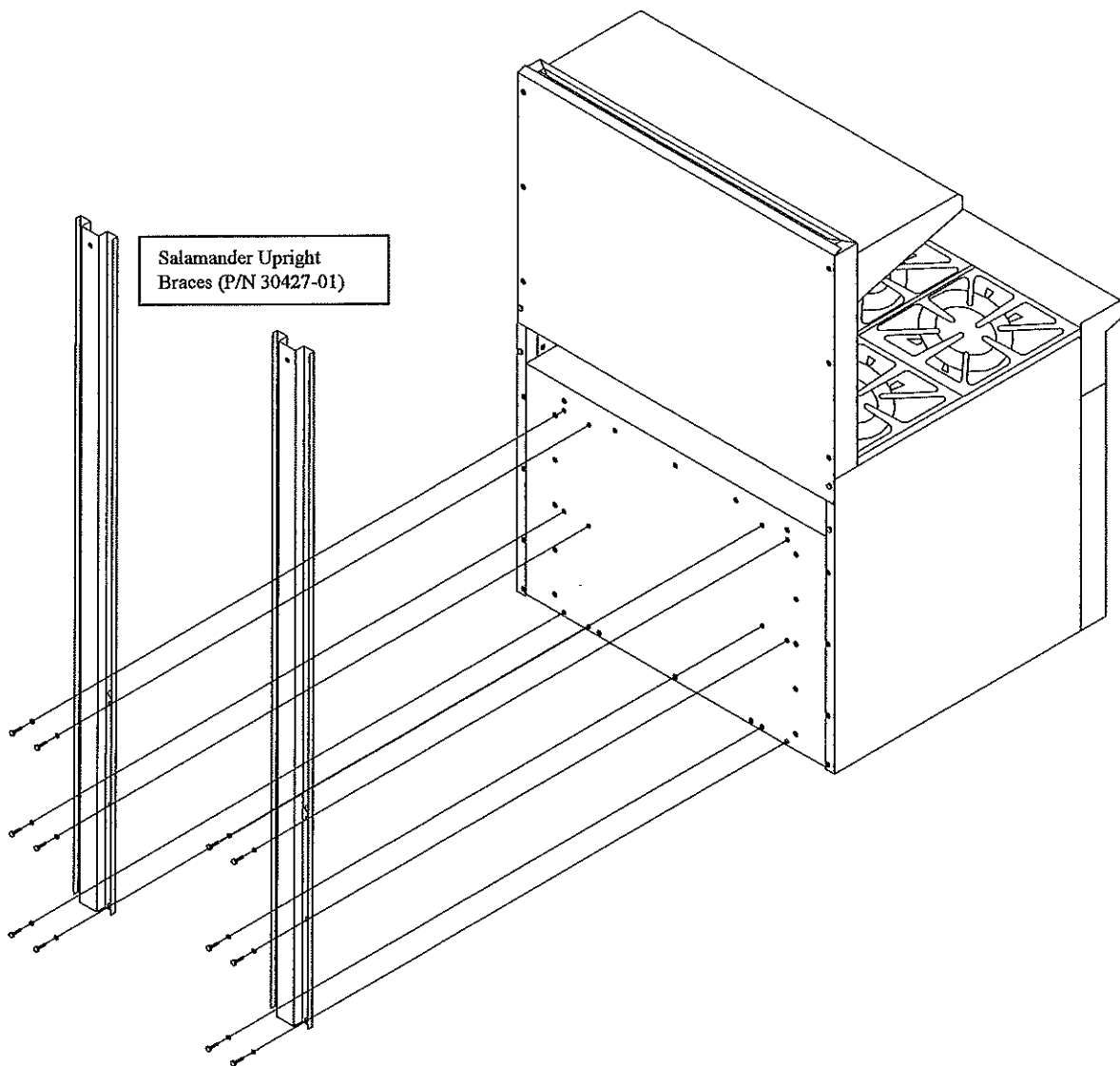


STEP 3:
ATTACH TOP BRACKETS AS SHOWN USING 1/4-20 X 3/4" BOLTS AND NUTS PROVIDED WITH KIT AND TIGHTEN SECURELY. INSTALLATION COMPLETE



Step 3:

- Attach P/N 30427-01 (Salamander Upright Braces) to Mainback of Range, using hardware provided with Range Mount Kit.



Salamander Range Mount Instructions

THERMA-TEK
RANGE CORP.

RESTAURANT RANGE BACKGUARD MOUNTING INSTRUCTIONS

KIT INCLUDES:

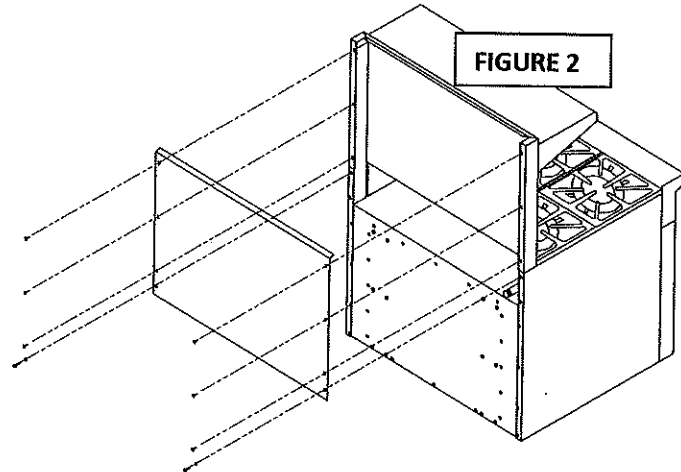
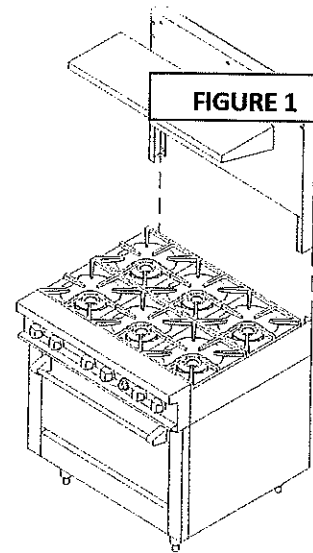
- (2) PN 31079 BACKGUARD SUPPORT
- (4) PHILLIPS HEAD SHEET METAL SCREWS

FIGURE 1: SHELF AND BACKGUARD MOUNTING ASSEMBLY TO RANGE

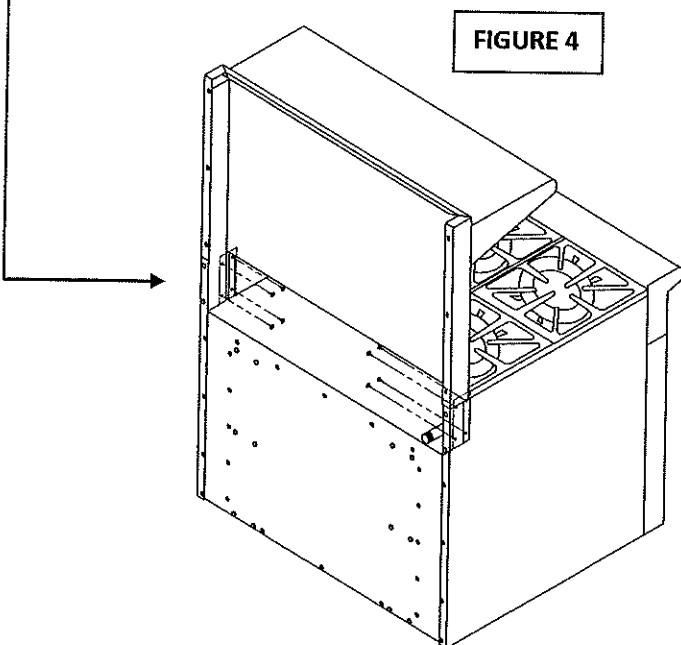
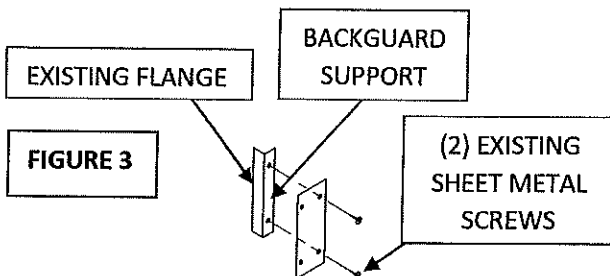
FIGURE 2: STEP ONE DIAGRAM

FIGURE 3: PN 31079 BACKGUARD SUPPORT ASSEMBLY TO EXISTING PART

FIGURE 4: STEP 2 DIAGRAM



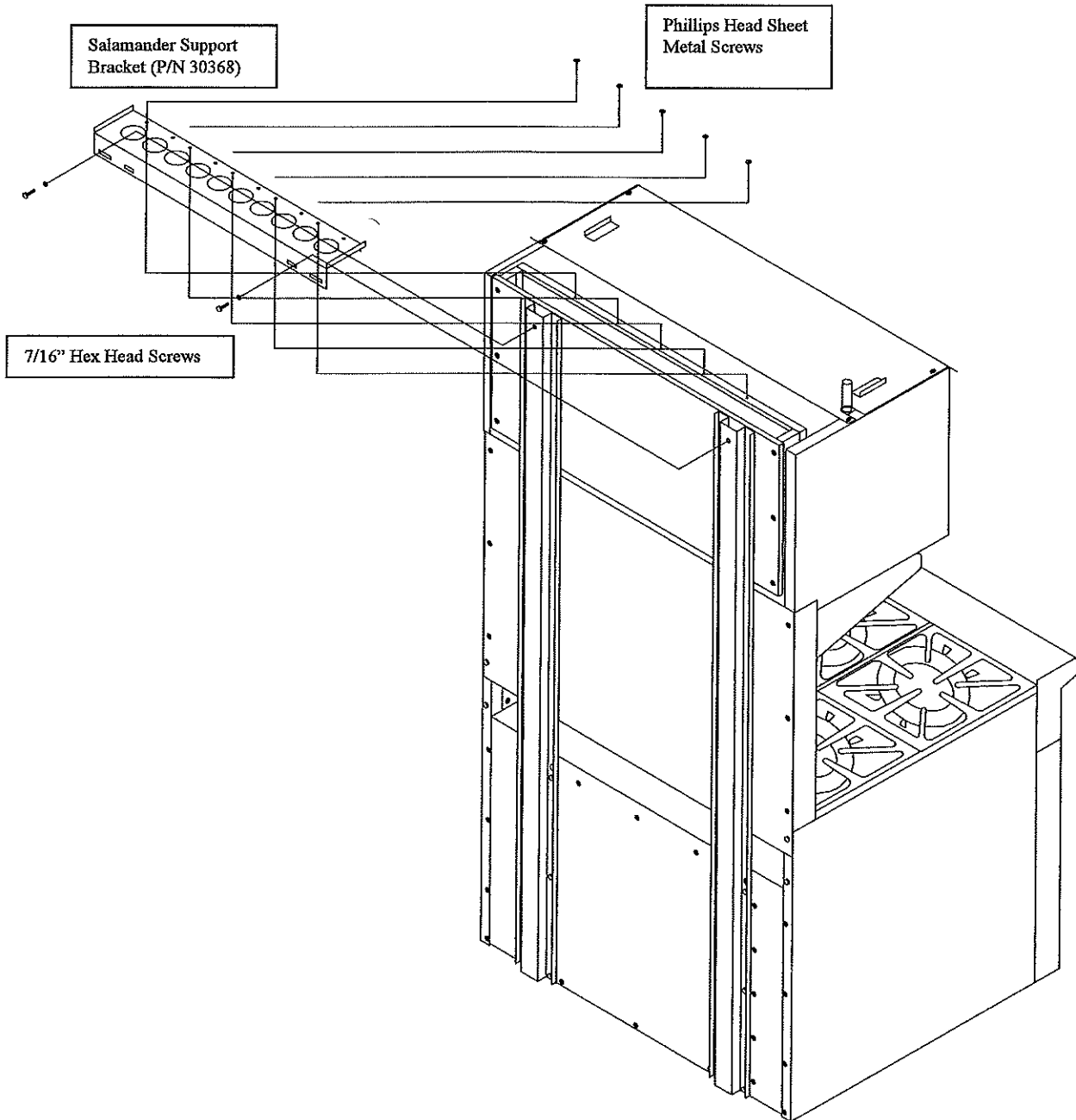
STEP 1
REMOVE BACK PANEL FROM SDHS BY REMOVING (6) PHILLIPS HEAD SCREWS AND (2) 7/16" HEX HEAD BOLTS AS SHOWN IN FIGURE 2



STEP 2
FLANGE EXISTS ON RANGE AT THE LOCATION DIRECTED BY ARROW. REMOVE (2) EXISTING SHEET METAL SCREWS FROM FLANGE AND ATTACH BACKGUARD SUPPORT HERE WITH EXISTING SCREWS AS SHOWN IN FIGURE 3. USE (2) PHILLIPS HEAD SHEET METAL SCREWS FROM KIT TO SECURE ASSEMBLY TO SHELF UPRIGHT AND INNER BURNER AS SHOWN IN FIGURE 4. BOX SIDE PROCEDURE IS DONE TO BOTH SIDES OF SDHS.
NOTE: WHEN LOCATING HOLES FOR PLATE, BE SURE SDHS IS STRAIGHT AND PLUMB
REINSTALL BACK PANEL.

Step 4:

- Position Salamander on Shelf.
- Install P/N 30368 (Salamander Support Bracket) over Salamander Backwall and Upright Supports.
- Align holes and attach using five (5) Phillips Head Sheet Metal Screws provided on top and two (2) 7/16" Hex Head Screws with Lockwashers on Upright Support on Rear.
- Installation complete.



THERMA-TEK TERMS OF SALE AND ORIGINAL EQUIPMENT WARRANTY FOR INSTALLATION IN THE U.S.A. ORIGINAL WARRANTY

The Therma-Tek Corporation warrants its new product (s) to be free from defects in material and workmanship for a period of one (1) year from the original date of purchase, not to exceed eighteen (18) months from shipment from the Factory to Dealer or Owner- User provided proof of purchase and installation date being provided to Therma-Tek Corporation prior to work being performed by an Authorized Therma-Tek Service agency. This warranty shall be subject to the Following conditions and limitations.

1. This warranty is limited to product (s) sold to the original commercial user.
2. The liability of Therma-Tek under this warranty is limited to, at Therma-Tek's option, the replacement or repair of any part found by Therma-Tek or an authorized service agency to not be as warranted herein, provided that written notice of defects shall be supplied to Therma-Tek within fifteen (15) days of its occurrence.
3. Therma-Tek shall bear normal labor and shipping charges incurred in such repair or replacement to the extent that such is performed within a fifty (50) miles from an office of an authorized service agency of Therma-Tek, except that such obligation to bear labor charges shall not apply to products or parts installed outside the continental United States. Should service be required at times which normally involve premium labor rates, the Owner-User shall be charged for the difference between normal service/shipping rates and such premium/shipping rates. All warranted parts will be shipped standard ground; anything other than ground will be at the expense of Owner-User.
4. Therma-Tek shall have no obligation as to any product (s) which have been misapplied, (including installation for residential use), mis-handled, damaged, abused, subjected to harsh chemical action or poor water quality, modified by an unauthorized service personnel, damaged by flood, fire or other acts of God or which have the serial number removed or altered. Failures caused by erratic voltages or gas supplies. Thermostats / Safety Valves with broken capillary tubes.
5. Adjustments such as calibrations, air shutter adjustment and adjustments to pilots and burners, conversions, leveling, tightening of fasteners or utility connections, are the responsibility of the Owner-User (customer), Dealer or Certified Licensed installer and not that of Therma-Tek.
6. These warranty periods rather than one (1) year period herein provided for other parts shall apply for the product (s) listed.

Porcelain enamel and paint- 90days from purchase/ installation.
Rubber seals, door seals, chain mechanisms, light bulbs and gaskets- 90 days from purchase/ installation.
Cast-iron parts- 90 days from purchase/ installation.
Sight glass, spark Ignitors, broiler briquettes, drip shields, baking decks and gas valves- 90 days from purchase/installation.
Mobile Food Truck/ Trailer- equipment will have 30 Days warranty after purchase for any Therma-Tek product (s) installed on mobile kitchens; or used for Mobile Food Service.

All service issues need to be accompanied by proof of purchase and copy of certification from gas installer's receipt of compliance/ installation.

7. Therma-Tek Range Authorized Service Agencies under contract guarantee Warranty work within thirty (30) days for replacement parts and/ or issues after Installation and receipt of service rendered. Therma-Tek Range guarantees Replacement parts and or service labor for ninety (90) days after service receipt For service work being performed by an Authorized Service Agency and unit Being repaired and good working condition. Authorized Service Agency may Require a credit card before entering premises for non-warranted issues.
8. This states the exclusive remedy against Therma-Tek relating to the product(s) Whether in contract or in tort or under any other legal theory, and whether Arising out of warranties, representations, instructions, installations or defects From any cause.
9. This warranty and the liabilities set forth herein are exclusive and in lieu of All of their liabilities and warranties, expressed or implied, including but not Limited to, implied warranties or merchantability and fitness for particular Purpose and constitutes the only warranty of Therma-Tek with respect to the Product (s).
10. Therma-Tek shall not be liable, whether in contract or in tort or under any Other legal theory, for loss of use, revenue or profit, or for substitute use of Performance, for incidental indirect, or special or consequential damages or For any other loss of cost of similar type.

WARRANTY REQUIREMENT

For reliable operation and for your own safety, this professional cooking equipment must be installed by a certified/ licensed contractor.

Failure to comply will void any written or implied warranty.

Should the equipment require service during the standard warranty period, the receipt proving certified installation?

Must be made available to Therma-Tek Range for verification.

If installation was not performed by a certified/ licensed contractor, be prepared to submit a major credit card For payment for proper installation prior to service.

TERMS AND CONDITIONS

Terms: Net 30 days subject to credit approval. All amounts past due are subject to 1.5% per month service charge will be applied to all invoices 30 days or more past due.

FOB: Factory

Prices: All prices are subject to change without notice. Prices do not include sales or any other local state tax.

Shipments: Shipments must be inspected for damaged cartons and shortages promptly noted upon receipt and also noted on delivery receipt. All shipments shall be inspected for hidden or concealed damage and noted and reported within ten (10) days to carriers and request an inspection at once.

Therma-Tek's responsibility for shipments ceases with acceptance by carriers and to Dealer or Owner-User. Once product is received free and clear; Therma-Tek is not responsible for any hidden or concealed damages for equipment or part(s). No claims for damaged or missing will be recognized unless written notice to Therma-Tek within ten (10) days of receipt. Therma-Tek is not responsible of repair of damaged goods created during transit, delivery and installation or created by acts of God.

Goods: Returned goods are subject to a 20% re-stocking charge and the cost of reconditioning. Return Authorization ("RA") number for all returns must be placed on label and shipped back to Therma-Tek. Merchandise without an RA number will not be accepted. All authorized returns must be sent freight pre-paid. All orders over sixty (60) days will not be accepted. Custom units built to buyer specifications may not be returned or cancelled.

Rush Shipments: Orders requiring next, 2nd or 3rd day priority shipments must be placed by 1:00 PM Eastern Standard Time. Rush shipment cannot be guaranteed.

Note: Since continuing product improvement is a Therma-Tek policy, the factory reserves the right to change specifications, designs and material without notice.